

205 Litre Stainless Steel Chemical Pump DA300316



STM DA300316 hand-operated barrel pumps will pump approximately 2 strokes per litre of liquid. A bung adapter fits the standard 2" threaded openings in 15, 30 and 55 gallon (57, 114 and 208 litre) barrels and drums.

Type	Piston
Pump Body Material	Steel
Piston material	Steel
Ounces per stroke	4 to 20
Max. Viscosity	2000 SSU
Outlet Size	3/4"
Inlet Size	1-5/16"
Discharge Tube Length	8-1/4"
Suction Tube Length	36"
Overall Length	43"
Bung Adapter	2"
Max. Temperature	140° F/60° C

Please read and save these instructions. Read carefully before attempting to assemble, install, operate or maintain the product described. Protect yourself and others by observing all safety information. Failure to comply with instructions could result in personal injury and/or property damage! Retain instructions for future reference.

GENERAL SAFETY INFORMATION

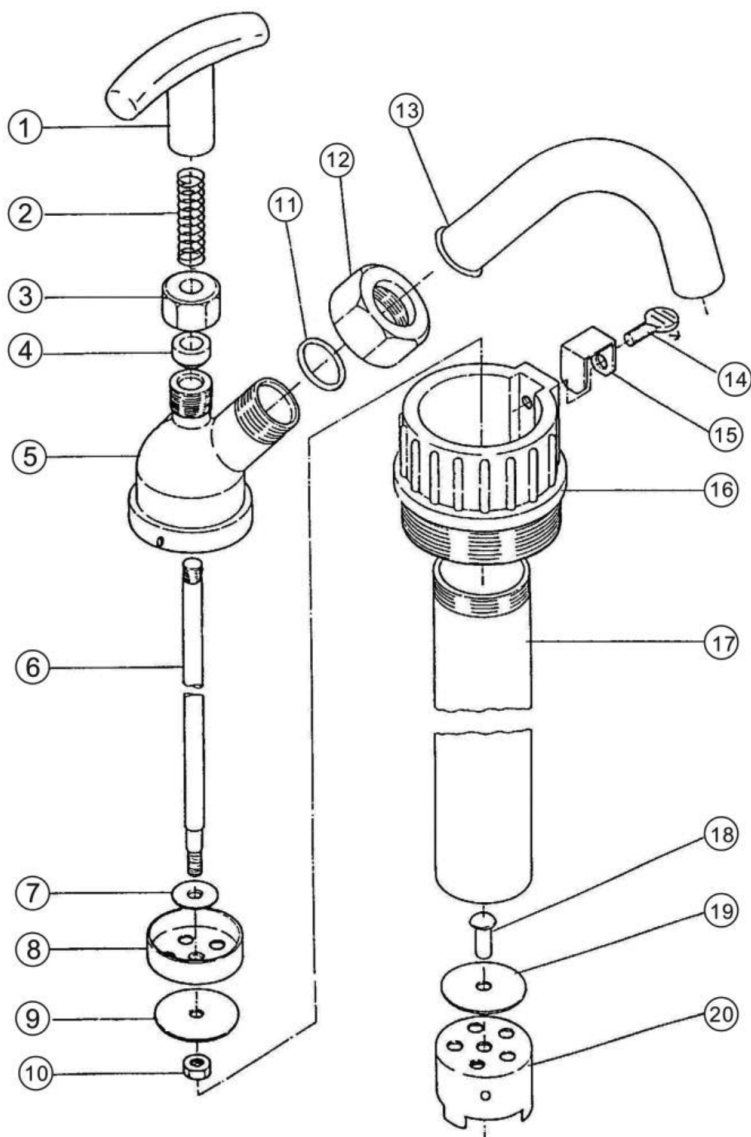
! It is the responsibility of the user to operate the pump in conformance with OSHA rules for dispensing liquids. Pump containers should be grounded when using with flammable liquids to avoid static electricity. Pump should be washed out before usage since processing lubricants could contaminate the fluids.

1. When using a hand pump (especially when pumping flammable, combustible or hazardous liquids) follow all electrical and safety codes
2. Know the pump application, limitations, and potential hazards. The "WARNING" statements indicate potential hazardous conditions for the operator or equipment. TAKE NECESSARY STEPS TO PROTECT PERSONNEL AND EQUIPMENT.

✎ NOTE: Pump should only be used with liquids compatible with pump component materials. Consult PUMP CHEMICAL COMPATIBILITY CHART and PUMP SPECIFICATIONS. Also, the chemical supplier should be consulted regarding any questions of chemical compatibility, proper and safe use and handling of chemical. Misapplication of pump or use of on-compatible liquids will void warranty.

! In order to properly use this product, familiarize yourself with this pump and also with the liquid (Chemical, etc.) that is going to be pumped through the unit. Although this pump is suitable for many liquids, it is NOT suitable for all liquids!

3. Pumping hazardous, flammable, or combustible liquids should only be done in buildings, rooms, or areas suited for this purpose.



No.	Parts List	Material
1	Handle (*)	Nylon
2	Spring	304S.S.
3	Packing Nut	304S.S.
4	Packing	PVDF
5	Pump Body	316S.S.
6	Piston Rod	316S.S.
7	Washer	316S.S.
8	Piston	PVDF
9	Washer	316S.S.
10	Nut	316S.S.
11	Packing	PVDF
12	Packing Nut	304S.S.
13	Spout	304S.S.
14	Thumb Screw	Steel
15	□ Plate	Steel
16	Bung Adapter	PP
17	Suction Tube	316S.S.
18	Rivet	304S.S.
19	Washer	316S.S.
20	Lower Piston	316S.S.
	Screw (welded on pump body)	316S.S.

*T Handle can be replaced with a round one